

Panel & Louver Shutter

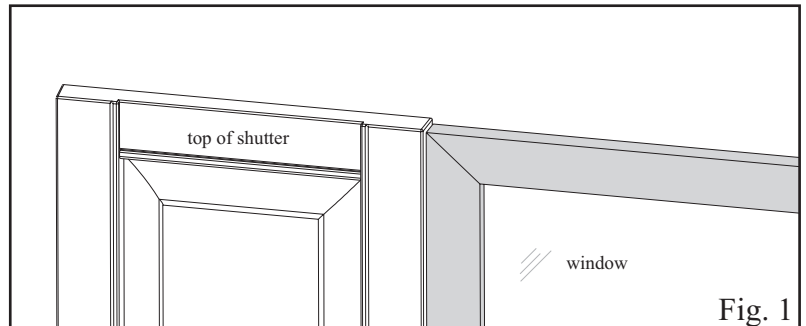
Installation Instructions using screws

For use on any surface including: wood, aluminum, vinyl, stucco, hardboard, brick, or masonry.

For shutters sizes 55" and over, use six screws per shutter. For smaller sizes use four screws per shutter. See figures below right.

Step 1

Place the shutter next to the window and mark desired location against the wall or window. See Figure 1 at right.



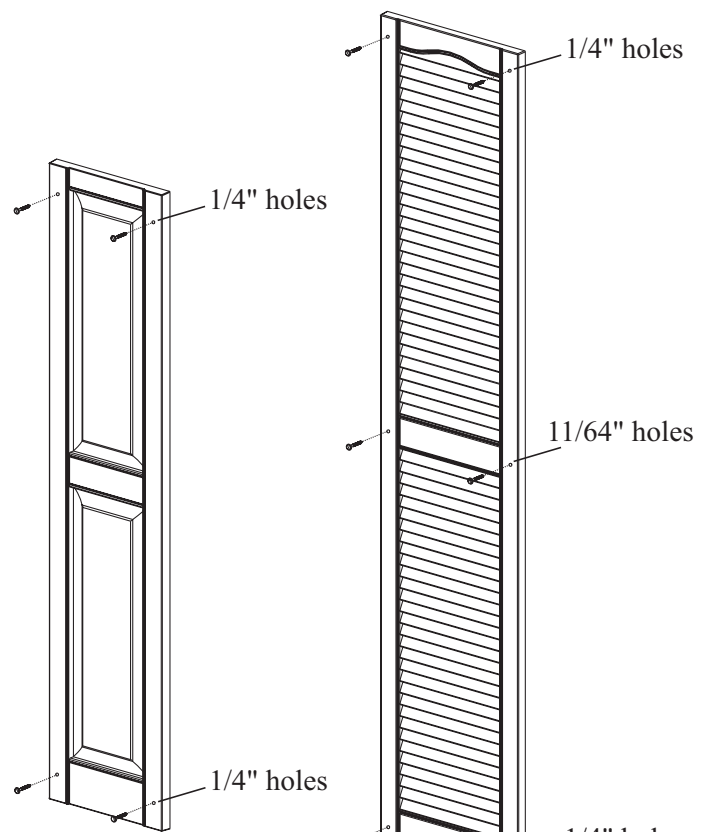
Step 2

When installing shutters smaller than 55", drill (4) 1/4" holes in the locations shown in Figure 2A at right.

If the shutter is 55" and over, drill (4) 1/4" holes and (2) 11/64" holes in the locations shown in Figure 2B at right.

Step 3

Reposition the shutter against the wall and screw it into place using the screws provided. Do not over tighten the screws. When installing a shutter 55" and over, screw the two center screws in first (the screws using the 11/64" holes).



Four Screw Application

Figure 2A

Six Screw Application

Figure 2B