

## Yorkshire Window Box Instructions

# MIS018r2

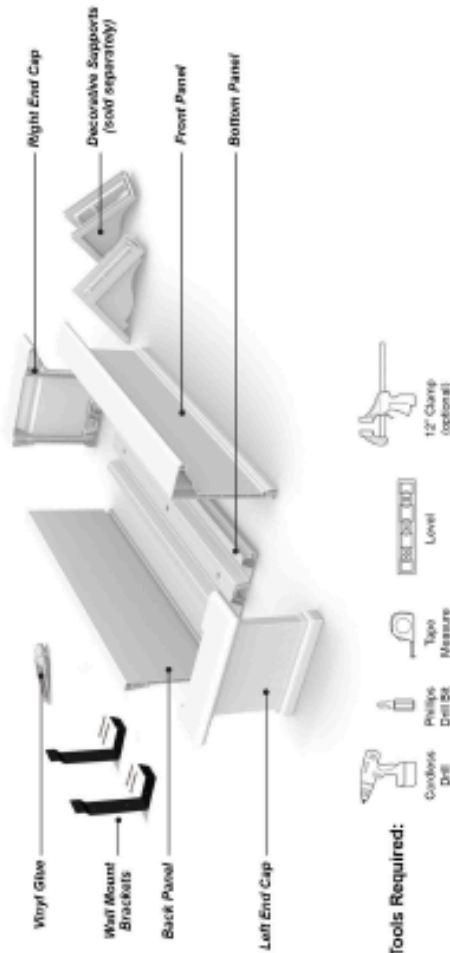


**PACKAGE CONTENTS:** Front Panel, Back Panel, Bottom Panel, Left and Right End Caps, Wall Mount Brackets with screws, & Vinyl Glue (Decorative Supports Sold Separately)

**DIMENSIONS:** 12" depth x 10.2" height x (2', 3', 4', 5', 6', 7', and 8' Lengths)

**IMPORTANT NOTE:**

- Vinyl glue starts to set within minutes so once you start applying glue continue with assembly in a timely manner.



**Tools Required:**

- Cordless Drill
- Phillips Drill Bit
- Tape Measure
- Level
- 12" Glue (optional)

**General Information:**

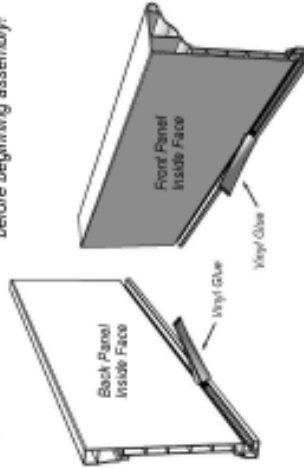
- Read instructions carefully before beginning assembly. Test fit all pieces before applying any glue. The bond is permanent so parts can't be adjusted or rearranged once the glue has cured.
- Allow the glue to fully cure before filling the window box with any planting materials or water.
- Do not overload the window boxes. Lightweight fillers and potting mixes are recommended.
- The Yorkshire window boxes are suitable for flowers, herbs, vegetables, and small plants.
- To clean the product use standard house hold cleaners
- The molded vinyl construction is designed to withstand cold temperatures but you may wish to winter store the planter in a shed or garage to offer the best protection from extreme cold.
- Wall mount brackets include screws for general mounting applications; however when installing on brick and concrete, masonry screws or anchors are required.

In the event of missing or defective parts, please email [info@gomayne.com](mailto:info@gomayne.com) or call our customer service department toll free at 866-363-8834 (available Monday through Friday, 8am-5pm EST).

**MAYNE**  
Outdoor Products of Distinction  
[www.gomayne.com](http://www.gomayne.com)

1

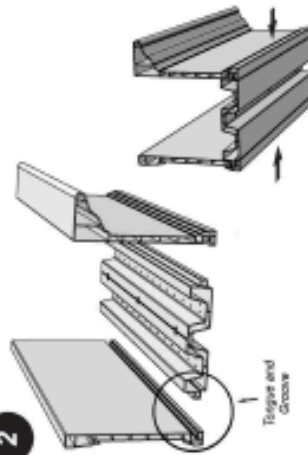
**Reminder:** Test fit all pieces before beginning assembly!



Identify the front and back panel from the part list. Run a continuous bead of glue along the groove on each panel. Be generous to ensure each groove has plenty of adhesive to create a good seal.

(Note: The vinyl glue starts to set within minutes so once you apply the glue continue with the assembly in a timely manner. It may take several hours for the glue to fully cure. Please refer to the glue instructions for complete details.)

2



Position all 3 panels as shown above ensuring the bottom panel has the perforated holes facing up. A tongue and groove design provides easy alignment between the panels. Squeeze the parts together and check for a tight fit throughout the length of the panels. For best results clamp the panels together while the glue cures.

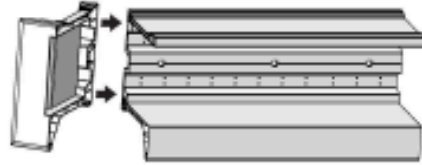
(Tip: Place cardboard on the floor to avoid any scratches during assembly)

3



Identify the right and left end caps from the part list. Starting with only the Left End Cap, run a continuous bead of glue along the internal walls of the cap. Be generous with the glue to ensure a strong seal is formed between the panels and end cap.

4



Stand the 3 panels on one end as shown on the left. Align the end cap at an angle and start by inserting the panels into the bottom portion of the end cap. You may need to wiggle the cap to get the panels to fit inside the guides. Work your way down by aligning the top portion of the panels with the end cap and rotate the cap downward as indicated by the arrows below. Once in place press firmly to ensure the cap is properly sealed.

REPEAT Steps 3 & 4 for the Right End Cap.

